



TOSHIBA

Leading Innovation >>>



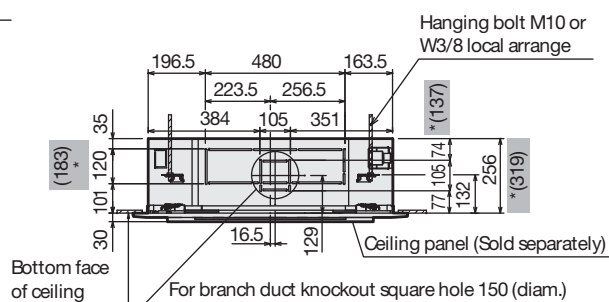
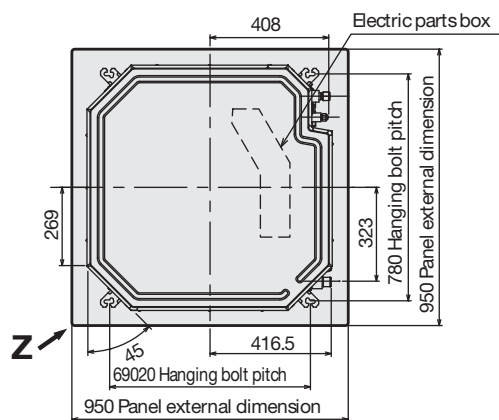
VRF Indoor Unit - 4-Way Cassettes

The 4-Way Cassette is unobtrusive and flexible. It blends with any room interior and offers the ideal solution for small commercial applications where space is limited.

- Unobtrusive and flexible, blends in with any room decor
- Four-way adjustable grille
- Innovative air flow control and new panel design prevents dust accumulation on the ceiling
- High-lift drain pump (850mm)
- Louvre and grille are easily detachable
- Corner pockets in all four corners for easy access
- Flexible installation-ideal for sites with restricted space above the ceiling

Model	Indoor Unit Fasia Panel	MMU RBC	AP0092H U31PGW-E	AP00122H U31PGW-E	AP0152H U31PGW-E	AP0182H U31PGW-E	AP0242H U31PGW-E
Capacity code	hp		1	1.25	1.7	2	2.5
Cooling Capacity	kW		2.8	3.6	4.7	5.6	7.1
Heating Capacity	kW		3.2	4	5	6.3	8
Power Input	kW		0.021	0.021	0.023	0.026	0.036
Air flow (High/Medium/Low)	l/s		222/203/189	222/203/189	258/231/219	292/256/222	358/256/222
Sound Pressure Level (High/Medium/Low)	dB(A)		30/29/27	30/29/27	31/29/27	32/29/27	35/31/28
Dimensions, height x width x depth	mm		256x840x840	256x840x840	256x840x840	256x840x840	256x840x840
Weight	kg		18	18	20	20	20
Max. Operating Current	A		0.23	0.23	0.27	0.29	0.38
Starting Current	A		0.30	0.30	0.33	0.36	0.42
Suggested Fuse Size	A		3	3	3	3	3
Power Supply	V-ph-Hz8		220/240-1-50	220/240-1-50	220/240-1-50	220/240-1-50	220/240-1-50

Model	Indoor Unit Fasia Panel	MMU RBC	AP0272H U31PGW-E	AP0302H U31PGW-E	AP0362H U31PGW-E	AP0482H U31PGW-E	AP0562H U31PGW-E
Capacity code	hp		3	3.2	4	5	6
Cooling Capacity	kW		8	9	11.2	14	16
Heating Capacity	kW		9	10	12.5	16	18
Power Input	kW		0.036	0.043	0.088	0.112	0.112
Air flow (High/Medium/Low)	l/s		358/256/222	367/308/236	547/397/297	592/397/314	592/422/342
Sound Pressure Level (High/Medium/Low)	dB(A)		35/31/28	38/33/30	48/38/32	46/38/33	45/40/34
Dimensions, height x width x depth	mm		256x840x840	256x840x840	319x840x840	319x840x840	319x840x840
Weight	kg		20	20	25	25	25
Max. Operating Current	A		0.38	0.43	0.73	0.88	0.92
Starting Current	A		0.42	0.59	0.88	1.23	1.23
Suggested Fuse Size	A		3	3	3	3	3
Power Supply	V-ph-Hz8		220/240-1-50	220/240-1-50	220/240-1-50	220/240-1-50	220/240-1-50



Drain-up standing-up size

MMU-AP0362H, MMU-AP0482H and MMU-AP0562H
 MU-AP0092H, MMU-AP0122H, MMU-AP0152H, MMU-AP0182H,
 MMU-AP0242H, MMU-AP0272H and MMU-AP0272H

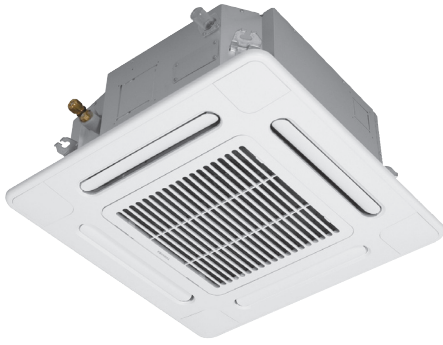
All data is based on Toshiba Nominal Conditions as described in the back of our standard price list.

VRF Indoor Unit - 4-Way Cassettes

TOSHIBA AIRCONDITIONING

Advancing the **eco**-evolution



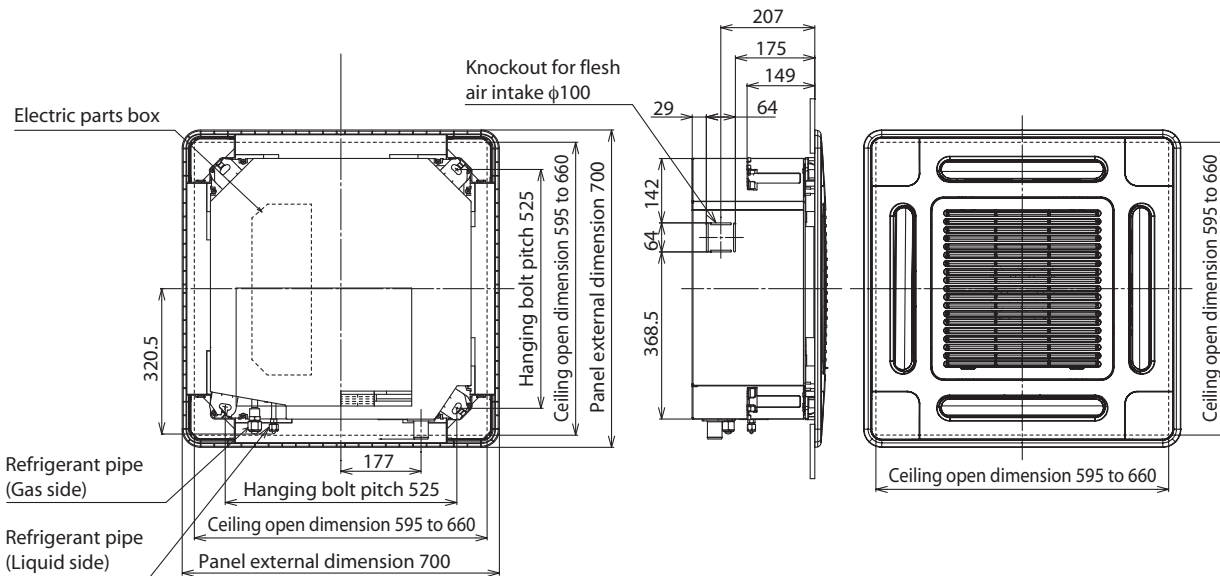


VRF Indoor Unit - Compact Cassettes

- Suits standard 600 x 600mm grid ceilings to allow easy installation and maintenance
- New louvre design
- Easy control access via corner pockets
- All capacity sizes have the same dimensions
- Panel depth less than 30mm for sleek, unobtrusive installation
- TCC Link control panel for flexible, easy system control
- Compatible with all Toshiba VRF systems

This cassette has been designed to suit all standard 600 x 600mm grid, for easy installation and maintenance. Its compact design blends with any room interior, where appearance is as important as functionality.

Model	Indoor Unit Fasia Panel	MMU RBC	AP0071MH U31PGW-E	AP0091MH U31PGW-E	AP0121MH U31PGW-E	AP0151MH U31PGW-E	AP0181MH U31PGW-E
Capacity code		hp	0.8	1	1.25	1.7	2
Cooling Capacity		kW	2.2	2.8	3.6	4.5	5.6
Heating Capacity		kW	2.5	3.2	4	5	6.3
Power Input		kW	0.034	0.036	0.038	0.041	0.052
Air flow (High/Medium/Low)		l/s	153/128/105	158/130/105	165/140/112	183/153/130	212/178/153
Sound Pressure Level (High/Medium/Low)		dB(A)	36/32/28	37/33/28	37/33/29	40/35/30	44/39/34
Dimensions, height x width x depth		mm	268x575x575	268x575x575	268x575x575	268x575x575	268x575x575
Weight		kg	17	17	17	17	17
Max. Operating Current		A	0.28	0.3	0.31	0.34	0.42
Starting Current		A	0.49	0.52	0.54	0.59	0.73
Suggested Fuse Size		A	3	3	3	3	3
Power Supply		V-ph-Hz8	220/240-1-50	220/240-1-50	220/240-1-50	220/240-1-50	220/240-1-50



MMU-AP0071MH, MMU-AP0091MH, MMU-AP0121MH, MMU-AP0151MH and MMU-AP0181MH

